

2019

# PROFILES FOR SHOWER PARTITIONS

*profile overview*

*main program*

&

*special program*

TG-Industriedienstleistungen GmbH

Tel.: +49 521 / 784 75 66

Fax.: +49 521 / 784 75 65

E-Mail: [info@tg-industrie.de](mailto:info@tg-industrie.de)

## CONTENT

1. GENERAL INFORMATION .....	2
2. THE STRUCTURE OF OUR ARTICLE NUMBER .....	3
3. MAIN PROGRAM.....	4
3.1 PROFILES WITH 12 MM OVERLAP FOR 6 – 8 MM THICK ESG* .....	4
3.2 PROFILES WITH 12 MM OVERLAP FOR 10 – 12 MM THICK ESG* .....	10
3.3 PROFILES WITH 5 MM OVERLAP FOR 8 MM THICK ESG* .....	12
3.4 TUB SEAL, SQUARE & ANGLE PROFILES AND TOOLS .....	14
4. SPECIAL PROGRAM.....	15
4.1 PROFILES WITH 12 MM OVERLAP FOR 4,8 – 5 MM THICK ESG* .....	15
4.2 PROFILES WITH 5 MM OVERLAP FOR 6 MM ESG* .....	17
5. SVHC DUTIES TO COMMUNICATE INFORMATION (REACH) .....	18

## 1. GENERAL INFORMATION

We offer basically seal profiles from the producer REHAU.

Because of their high quality material formulation, especially aligned with your installation system, REHAU shower partition seal profiles are suitable for use in a wide variety of shower partition seal system, for example

- All-glass shower cubicle
- Framework shower cubicles
- Bath fixtures
- Other types of partitions

Advantages offered by REHAU profiles in rigid/plasticized PVC:

- UV resistance.

UV resistance is tested in REHAU using XENON TEST 1200, cycle 102/18, alternate cycling.  
[Laboratory result: > 1.000 hrs. until there is a noticeable change in colour.](#)

- Crystal clear colour matching (rigid PVC)
- Acrylic compatibility.

Contact by those profiles made of plasticised PVC with acrylic, PS sheets etc. can lead to stress cracking and hardening of plasticised PVCs. The use of RAU-PVC 7539 (acrylic resistant formulation) eliminates this chemical reaction.

[Testing is done following DIN 53405, which states that migration of plasticizer during the test period of 15 days, at 50°C with 5 kg loading may amount max. 10 mg.](#)

- Structured soft PVC lips improve the sliding behaviour as regards the glass or adjacent components.

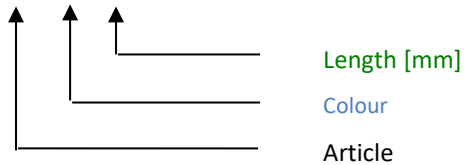
### Storage

- Store away from direct sunlight.
- Store in a dry place at room temperature of max. 30°C.
- Only store in wrapped condition and away from odour-forming substances (e.g. rubber).
- Shelf life: max. one year, profiles with adhesive tapes: max. 6 months

## 2. THE STRUCTURE OF OUR ARTICLE NUMBER

Our article code is based on the following System:

**6072.11.2010**



Colour Code:

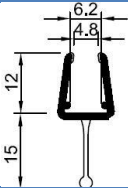
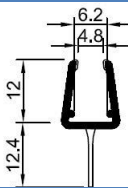
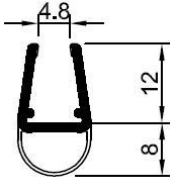
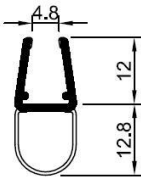
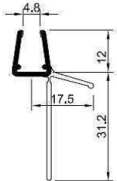
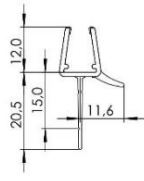
01:	<i>Rigid material Soft material Magnet coating</i>	<i>satinised transparency clear transparency light grey (similar RAL 7035)</i>
02:	<i>Rigid material Soft material Magnet coating</i>	<i>satinised transparency clear transparency silver grey metallic (similar RAL 9023)</i>
05:	<i>Rigid material Rigid material Soft material 1 Soft material 1 Soft material 2</i>	<i>satinised transparency or clear transparency clear transparency or structured transparency structured transparency</i>
11:	<i>Rigid material Soft material 1 Soft material 1 Soft material 2 Magnet coating</i>	<i>clear transparency clear transparency or structured transparency clear transparency light grey (similar RAL 7035)</i>
12:	<i>Rigid material Soft material 1 Soft material 2 Magnet coating</i>	<i>clear transparency structured transparency clear transparency silver grey metallic (similar RAL 9023)</i>
15:	<i>Rigid material Soft material 1 Soft material 1 Soft material 2</i>	<i>clear transparency clear transparency or structured transparency structured transparency</i>
10:	<i>Aluminium</i>	<i>white</i>
20:	<i>Aluminium</i>	<i>satin anodized</i>
30:	<i>Aluminium</i>	<i>chrome effect</i>
33:	<i>Aluminium</i>	<i>brass effect</i>

### 3. MAIN PROGRAM

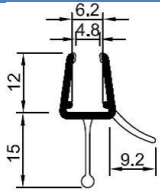
#### 3.1 PROFILES WITH 12 MM OVERLAP FOR 6 – 8 MM THICK ESG\*

Lip seals	
Art. No. 5001.15.2010 PU 240 pcs Art. No. 5001.15.2500 PU 240 pcs  Rigid PVC : clear transparency Soft PVC : opening area: clear transparency Soft PVC : soft lip : structured transparency	Art. No. 5011.15.2010 PU 143 pcs Art. No. 5011.15.2500 PU 143 pcs  Rigid PVC : clear transparency Soft PVC : opening area: clear transparency Soft PVC : soft lip : structured transparency
Art. No. 5071.15.2010 PU 240 pcs Art. No. 5071.15.2500 PU 240 pcs  Rigid PVC : clear transparency Soft PVC : opening area: clear transparency Soft PVC : soft lip : structured transparency	Art. No. 5091.15.2500 PU 195 pcs  Rigid PVC : clear transparency Soft PVC : opening area: clear transparency Soft PVC : soft lip : structured transparency
Art. No. 5112.15.2010 PU 238 pcs Art. No. 5112.15.2500 PU 238 pcs  Rigid PVC : clear transparency Soft PVC : opening area: structured transparency Soft PVC : soft lip : structured transparency	Art. No. 5211.15.2500 PU 240 pcs  Rigid PVC : clear transparency Soft PVC : opening area: structured transparency Soft PVC : soft lip : structured transparency

\*ESG = single-pane safety glass

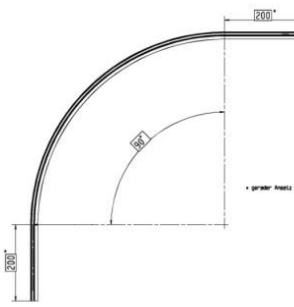
<i>Central lip seals</i>	
	
Art. No. 5121.05.2010 Art. No. 5121.05.2500	Art. No. 5122.05.2010 Art. No. 5122.05.2500
Rigid PVC : satinised transparency Soft PVC : opening area: structured transparency Soft PVC : soft lip : structured transparency	Rigid PVC : satinised transparency Soft PVC : opening area: structured transparency Soft PVC : soft lip : structured transparency
<i>Soft nose seals</i>	
	
Art. No. 5042.15.2010 PU 153 pcs Art. No. 5042.15.2200 PU 153 pcs Art. No. 5042.15.2500 PU 153 pcs	Art. No. 5021.15.2010 PU 136 pcs Art. No. 5021.15.2500 PU 136 pcs
Rigid PVC : clear transparency Soft PVC : opening area: clear transparency Soft PVC : soft lip : structured transparency	Rigid PVC : clear transparency Soft PVC : opening area: clear transparency Soft PVC : soft lip : structured transparency
<i>Water deflector</i>	
	
Art. No. 5160.15.2010 PU 32 pcs	Art. No. 5104.05.2050 PU 64 pcs cuttable soft lip from 20,5 mm to 15 mm
Rigid PVC : clear transparency Soft PVC : opening area: clear transparency Soft PVC : soft lips : structured transparency	Rigid PVC : clear transparency Soft PVC : opening area: clear transparency Soft PVC : soft lips : structured transparency

### Water deflector



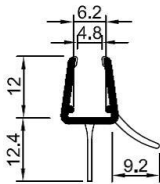
Art. No. 5101.05.2010 PU 63 pcs  
Art. No. 5101.05.2500 PU 130 pcs

Rigid PVC : satinised transparency  
Soft PVC : opening area: structured transparency  
Soft PVC : soft lips : structured transparency



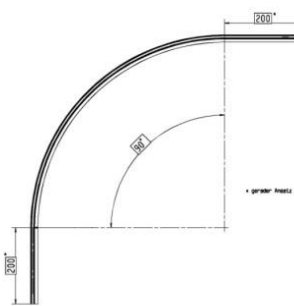
Art. No. 5101.05.0500  
Art. No. 5101.05.0550 curved  
Radius 500 or 550  
Opening angle: 90°  
Straight nose: 200 mm both-sided  
Length ca. 1200 mm

### Water deflector



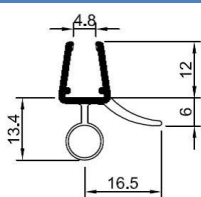
Art. No. 5102.05.2010 PU 70 pcs  
Art. No. 5102.05.2500 PU 150 pcs

Rigid PVC : satinised transparency  
Soft PVC : opening area: structured transparency  
Soft PVC : soft lips : structured transparency



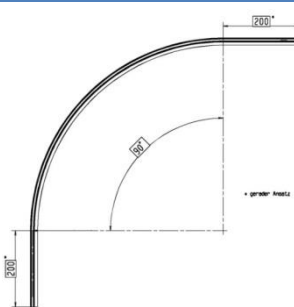
Art. No. 5102.05.0500  
Art. No. 5102.05.0550 curved  
Radius 500 or 550  
Opening angle: 90°  
Straight nose: 200 mm both-sided  
Length ca. 1200 mm

### Water deflector



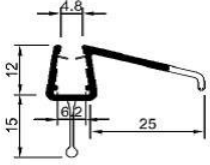
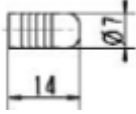
Art. No. 5141.15.2010 PU 48 pcs  
Art. No. 5141.15.2500 PU 48 pcs

Rigid PVC : clear transparency  
Soft PVC : opening area: clear transparency  
Soft PVC : soft lips : structured transparency

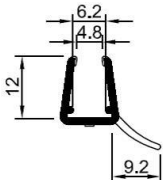
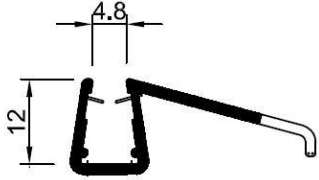


Art. No. 5141.15.0500  
Art. No. 5141.15.0550 curved  
Radius 500 or 550  
Opening angle: 90°  
Straight nose: 200 mm both-sided  
Length ca. 1200 mm

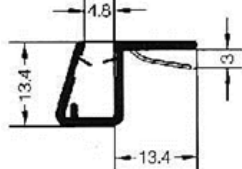
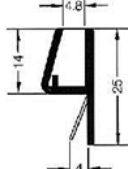
### Water deflector

	
<p>Art. No. 5325.05.2010 PU 24 pcs          Art. No. 5325.05.2500 PU 35 pcs</p> <p>Rigid PVC : satinised transparency          Soft PVC : opening area: structured transparency          Soft PVC : soft lips : structured transparency</p>	<p>Art. No. 8140.01.0001 PU 100 pcs</p> <p>PVC plugs for Art. No. 5141</p>

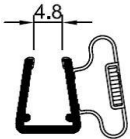
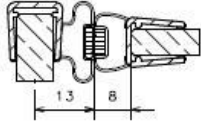
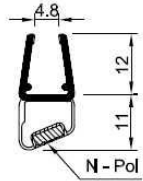
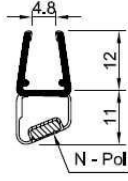

### Sliding door bottom seals

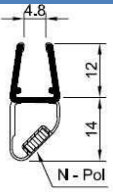
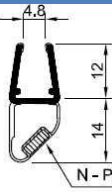


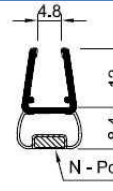

	
<p>Art. No. 5119.05.2010 PU 150 pcs          Art. No. 5119.05.2500 PU 150 pcs</p> <p>Rigid PVC : satinised transparency          Soft PVC : opening area: structured transparency          Soft PVC : soft lip : structured transparency</p>	<p>Art. No. 5329.05.2010          Art. No. 5329.05.2500</p> <p>Rigid PVC : satinised transparency          Soft PVC : opening area: structured transparency          Soft PVC : soft lips : structured transparency</p>

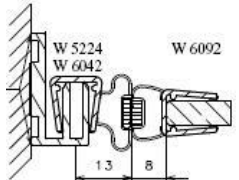
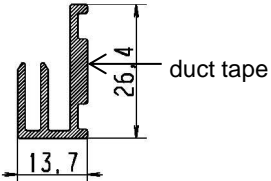
### Compression seals

	
<p>Art. No. 5050.05.2010 PU 140 pcs          Art. No. 5050.05.2500 PU 140 pcs</p> <p>Rigid PVC : satinised transparency          Soft PVC : opening area: structured transparency          Soft PVC : soft lips : structured transparency</p>	<p>Art. No. 5080.05.2010 PU 210 pcs          Art. No. 5080.05.2500 PU 210 pcs</p> <p>Rigid PVC : satinised transparency          Soft PVC : soft lip : structured transparency</p>

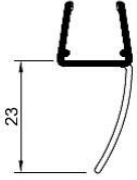
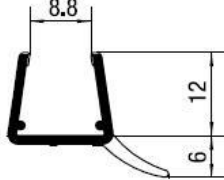


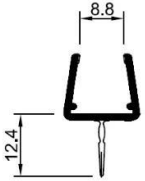
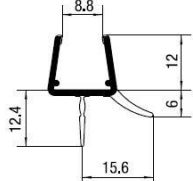
Magnetic door seals	
	
Art. No. 6042.11.2010 PU 72 pcs Art. No. 6042.11.2500 PU 72 pcs  Rigid PVC : clear transparency Soft PVC : opening area: clear transparency Soft PVC : magnet pocket: clear transparency Magnet coating: light grey	Art. No. 6042.11.2010 or 2500 Art. No. 6092.11.2010 or 2500  Profile set for swing door
	
Art. No. 6052.11.2010 PU 136 pcs Art. No. 6052.11.2500 PU 136 pcs  Rigid PVC : clear transparency Soft PVC : opening area: clear transparency Soft PVC : magnet pocket: clear transparency Magnet coating: light grey	Art. No. 6062.11.2010 PU 136 pcs Art. No. 6062.11.2500 PU 136 pcs  Rigid PVC : clear transparency Soft PVC : opening area: clear transparency Soft PVC : magnet pocket: clear transparency Magnet coating: light grey
	
Art. Nr. 6052.11.2010 oder 2500 Art. Nr. 6062.11.2010 oder 2500  Magnet set 135 °	

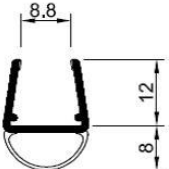
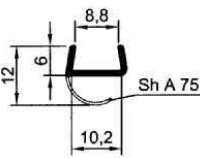
Magnetic door seals	
	
Art. No. 6072.11.2010 PU 119 pcs Art. No. 6072.11.2200 PU 119 pcs Art. No. 6072.11.2500 PU 56 pcs  Rigid PVC : clear transparency Soft PVC : opening area: clear transparency Soft PVC : magnet pocket: clear transparency Magnet coating: light grey	Art. No. 6082.11.2010 PU 119 pcs Art. No. 6082.11.2200 PU 119 pcs Art. No. 6082.11.2500 PU 56 pcs  Rigid PVC : clear transparency Soft PVC : opening area: clear transparency Soft PVC : magnet pocket: clear transparency Magnet coating: light grey
	
2 x Art. No. 6072.11.xxxx or 2 x Art. No. 6082.11.xxxx  <b>Magnet set 180° Set</b>	Art. No. 6072.11.xxxx + 6082.11.xxxx  <b>Magnet set 90°</b>
	
Art. No. 6092.11.2010 PU 150 pcs Art. No. 6092.11.2200 PU 150 pcs Art. No. 6092.11.2500 PU 70 pcs  Rigid PVC : clear transparency Soft PVC : opening area: clear transparency Soft PVC : magnet pocket: clear transparency Magnet coating: light grey	2 x Art. No. 6092.11.xxxx  <b>Magnet set 180°</b>

Seal sets	
	Art. Nr. 5224.05.2550 + Art. Nr. 6042.11.2010 or 2500 + Art. Nr. 6092.11.2010 or 2500
	
Art. Nr. 5224.05.2550  Rigid PVC : satinised transparency	

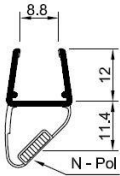
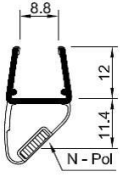


## 3.2 PROFILES WITH 12 MM OVERLAP FOR 10 – 12 MM THICK ESG\*

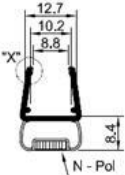

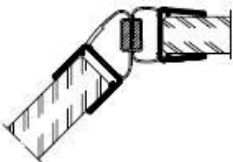
<i>Lip seals</i>	
	
Art. Nr.101291.15.2500 PU 78 pcs Rigid PVC : clear transparency Soft PVC : opening area: clear transparency Soft PVC : soft lips : structured transparency	Art. Nr.101219.15.2500 Rigid PVC : clear transparency Soft PVC : opening area: clear transparency Soft PVC : soft lips : structured transparency

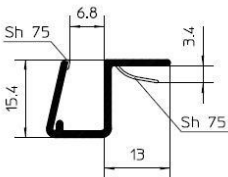
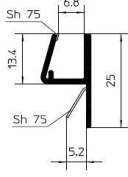
<i>Lip seals with central lip</i>	
	
Art. Nr.101220.15.2500 Rigid PVC : clear transparency Soft PVC : opening area: clear transparency Soft PVC : soft lips : structured transparency	Art. Nr.101202.15.2500 PU 64 pcs Rigid PVC : clear transparency Soft PVC : opening area: clear transparency Soft PVC : soft lips : structured transparency

<i>Soft nose seal</i>	<i>Gab seal</i>
	
Art. Nr.101241.15.2500 PU 54 pcs Rigid PVC : clear transparency Soft PVC : opening area: clear transparency Soft PVC : soft lips : structured transparency	Art. Nr.5150.05.2500 PU 126 pcs <b>Attention: 6 mm overlap for only for 10 mm thick ESG</b> Rigid PVC : satinised transparency Soft PVC : soft lips : structured transparency

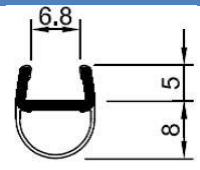
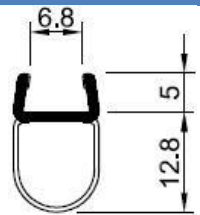
\*ESG = single-pane safety glass

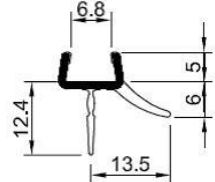
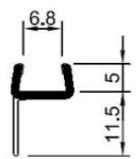
Magnetic door seals	
	
Art. No.101272.11.2500 PU 42 pcs  Rigid PVC : clear transparency Soft PVC : opening area: clear transparency Soft PVC : magnet pocket: clear transparency Magnet coating: light grey	Art. No.101282.11.2500 PU 42 pcs  Rigid PVC : clear transparency Soft PVC : opening area: clear transparency Soft PVC : magnet pocket: clear transparency Magnet coating: light grey
	
2 x Art. No. 101272.11.xxxx or 2 x Art. No. 101282.11.xxxx Magnet set 180° Set	Art. No. 101272.11.xxxx + 101282.11.xxxx Magnet set 90°

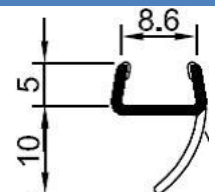
Magnetic door seals	
	
Art. Nr.101292.11.2500 PU 60 pcs  Rigid PVC : clear transparency Soft PVC : opening area: clear transparency Soft PVC : magnet pocket: clear transparency Magnet coating: light grey	2 x Art .Nr. 101292.11.xxxx Magnet set 180° Set
	
Art.Nr.101272.11.2500 +101292.11.2500 Magnet set 135° Set	

Compression seals	
	
Art. Nr. 5750.05.2500 PU 108 pcs <b>Attention: only for 8-10 mm thick ESG</b>  Rigid PVC : satinised transparency Soft PVC : opening area: structured transparency Soft PVC : soft lips : structured transparency	Art. Nr. 5780.05.2500 PU 60 pcs <b>Attention: only for 8-10 mm thick ESG</b>  Rigid PVC : satinised transparency Soft PVC : opening area: structured transparency Soft PVC : soft lips : structured transparency

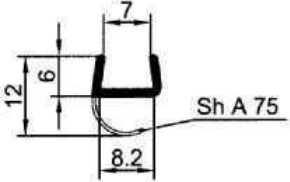
### 3.3 PROFILES WITH 5 MM OVERLAP FOR 8 MM THICK ESG\*

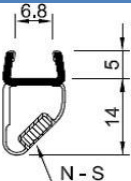
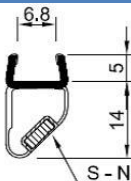
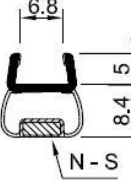
<i>Soft nose seals</i>	
	
Art. No. 5148.15.2030 PU 256 pcs Art. No. 5148.15.2500 PU 256 pcs  Rigid PVC : clear transparency Soft PVC : opening area: structured transparency Soft PVC : soft lip : structured transparency	Art. No. 5038.15.2010 PU 187 pcs Art. No. 5038.15.2500 PU 187 pcs  Rigid PVC : clear transparency Soft PVC : opening area: clear transparency Soft PVC : soft lips : structured transparency

<i>Water deflector</i>	
	
Art. No. 5108.15.2200 PU 88 pcs  Rigid PVC : clear transparency Soft PVC : opening area: structured transparency Soft PVC : soft lip : structured transparency	Art. No. 5118.15.2200 PU 432 pcs  Rigid PVC : clear transparency Soft PVC : opening area: structured transparency Soft PVC : soft lip : structured transparency

<i>Lip seal</i>	
	
Art. No. 5111.05.2010 PU 135 pcs  Rigid PVC : satinised transparency Soft PVC : opening area: structured transparency Soft PVC : soft lips : structured transparency	

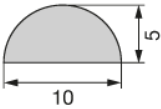
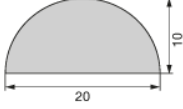
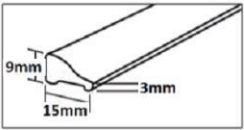
\*ESG = single-pane safety glass

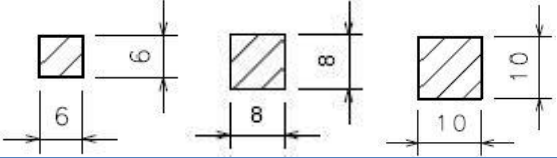
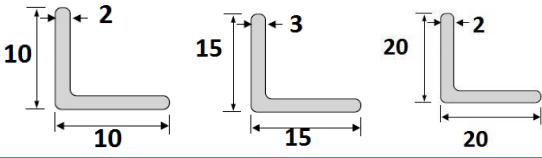


<i>Gab seal</i>	
	
Art. No. 5130.05.2010 PU 165 pcs Art. No. 5130.05.2500 PU 165 pcs  Rigid PVC : clear transparency Soft PVC : opening area: clear transparency Soft PVC : soft lips : structured transparency	

<i>Magnetic door seals</i>	
	
Art. No. 6078.12.2500 PU 160 pcs  Rigid PVC : clear transparency Soft PVC : opening area: structured transparency Soft PVC : magnet pocket: clear transparency Magnet coating: silver grey metallic	Art. No. 6088.12.2500 PU 160 pcs  Rigid PVC : clear transparency Soft PVC : opening area: structured transparency Soft PVC : magnet pocket: clear transparency Magnet coating: silver grey metallic
	
Art. Nr. 6098.12.2500 PU 224 Stück  Rigid PVC : clear transparency Soft PVC : opening area: structured transparency Soft PVC : magnet pocket: clear transparency Magnet coating: silver grey metallic	

*\*ESG = single-pane safety glass*

## 3.4 TUB SEAL, SQUARE &amp; ANGLE PROFILES AND TOOLS

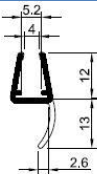
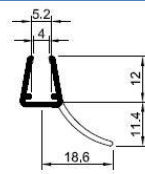
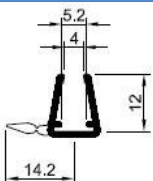
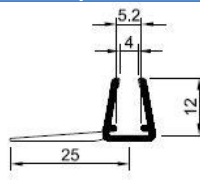
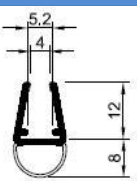
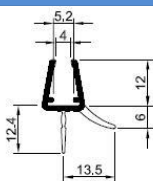
Schwallprofile / Tub seal	
	
Art. No. 8001.11.2010 PU 10 pcs PMMA extruded, crystal clear	Art. Nr. 8010.11.2010 PU 5 pcs PMMA extruded, crystal clear
	
Aluminium-Seals Art. No. 8300.10.2500 <i>white</i> Art. No. 8300.20.2500 <i>satın anodized</i> Art. No. 8300.30.2500 <i>chrome effect</i> Art. No. 8300.33.2500 <i>brass effect</i>	

Square & angle Profiles	
	
Art. No. 8090.11.2010 (L = 6-6 mm) Art. No. 8100.11.2010 (L = 8-8 mm) Art. No. 8110.11.2010 (L = 10-10 mm) PMMA extruded, crystal clear	Art. No. 8070.11.2010 (L 10-10-2 mm) Art. No. 8080.11.2010 (L 15-15-3 mm) Art. No. 8120.11.2010 (L 20-20-2 mm) PMMA extruded, crystal clear
tools	
	
Art. Nr. 8700.300.0001	Art. Nr. 8600.00.0001

## 4. SPECIAL PROGRAM

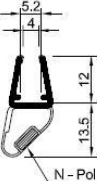
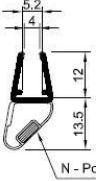
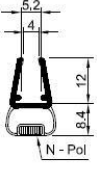
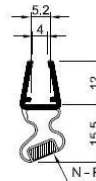
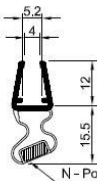
Our special program includes seal profiles for 4,8 – 5 mm and 6 mm thick ESG. Due to the low demand and stockpiling, the profiles are only available on request. Each profile can be made exclusive by request. Please do not hesitate to contact us if you need further information about minimum production, price and etc.

### 4.1 PROFILES WITH 12 MM OVERLAP FOR 4,8 – 5 MM THICK ESG\*

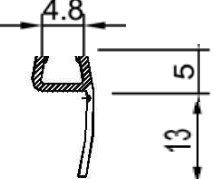
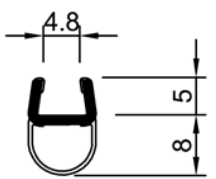
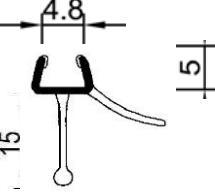
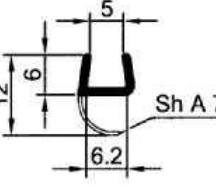
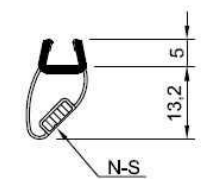
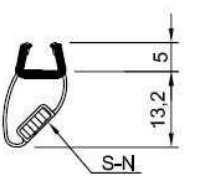
<i>Lip seals</i>	
	
Art. No. 48501.15.2010 PU 240 pcs  Rigid PVC : clear transparency Soft PVC : opening area: clear transparency Soft PVC : soft lip : structured transparency	Art. No. 48510.15.2010 PU 143 pcs  Rigid PVC : clear transparency Soft PVC : opening area: clear transparency Soft PVC : soft lip : structured transparency
<i>Vertical sliding door profiles</i>	
	
Art. No. 48511.15.2010 PU 240 pcs  Rigid PVC : clear transparency Soft PVC : opening area: clear transparency Soft PVC : soft lip : structured transparency	Art. No. 48513.15.2010 PU 192 pcs  Rigid PVC : clear transparency Soft PVC : opening area: clear transparency Soft PVC : soft lip : structured transparency
<i>soft nose seals</i>	<i>Water deflector</i>
	
Art. No. 48542.15.2010 PU 153 pcs  Rigid PVC : clear transparency Soft PVC : opening area: clear transparency Soft PVC : soft lip : structured transparency	Art. No. 48505.15.2010 PU 80 pcs  Rigid PVC : clear transparency Soft PVC : opening area: clear transparency Soft PVC : soft lip : structured transparency

\*ESG = single-pane safety glass



Magnetic door seals	
	
<p>Art. No. 48575.11.2010 PU 119 pcs</p> <p>Rigid PVC : clear transparency  Soft PVC : opening area: clear transparency  Soft PVC : magnet pocket: clear transparency  Magnet coating: light grey</p>	<p>Art. No. 48585.11.2010 PU 119 pcs</p> <p>Rigid PVC : clear transparency  Soft PVC : opening area: clear transparency  Soft PVC : magnet pocket: clear transparency  Magnet coating: light grey</p>
	
<p>Art. No. 48595.11.2200 PU 150 pcs</p> <p>Rigid PVC : clear transparency  Soft PVC : opening area: clear transparency  Soft PVC : magnet pocket: clear transparency  Magnet coating: light grey</p>	<p>Art. No. 48502.11.2010 PU 128 pcs</p> <p>Rigid PVC : clear transparency  Soft PVC : opening area: clear transparency  Soft PVC : magnet pocket: clear transparency  Magnet coating: light grey</p>
	
<p>Art. No. 48512.15.2010 PU 128 pcs</p> <p>Rigid PVC : clear transparency  Soft PVC : opening area: clear transparency  Soft PVC : magnet pocket: clear transparency  Magnet coating: light grey</p>	

## 4.2 PROFILES WITH 5 MM OVERLAP FOR 6 MM ESG\*

<i>Lip seal</i>	<i>Soft nose seal</i>
	
<p>Art. Nr. 5006.05.2010 PU 504 pcs</p> <p>Rigid PVC : satinised transparency Soft PVC : opening area: structured transparency Soft PVC : soft lips : structured transparency</p>	<p>Art. Nr. 5046.05.2500 PU 330 pcs</p> <p>Rigid PVC : satinised transparency Soft PVC : opening area: structured transparency Soft PVC : soft lips : structured transparency</p>
<i>Water deflector</i>	<i>Gab seal</i>
	
<p>Art. Nr. 5106.05.2010 VE 110 Stück</p> <p>Rigid PVC : satinised transparency Soft PVC : opening area: structured transparency Soft PVC : soft lips : structured transparency</p>	<p>Art. Nr. 5120.05.2010 VE 210 Stück Art. Nr. 5120.05.2500 VE 231 Stück</p> <p>Rigid PVC : satinised transparency Soft PVC : soft lips : structured transparency</p>
<i>Magnetic door seals</i>	
	
<p>Art. Nr. 6076.02.2010 PU 190 pcs Art. Nr. 6076.02.2500 PU 190 pcs</p> <p>Rigid PVC : satinised transparency Soft PVC : opening area: clear transparency Soft PVC : magnet pocket: clear transparency Magnet coating: light grey</p>	<p>Art. Nr. 6086.02.2010 PU 190 pcs Art. Nr. 6086.02.2500 PU 190 pcs</p> <p>Rigid PVC : satinised transparency Soft PVC : opening area: clear transparency Soft PVC : magnet pocket: clear transparency Magnet coating: light grey</p>

\*ESG = single-pane safety glass

## 5. SVHC DUTIES TO COMMUNICATE INFORMATION (REACH)

### EU Chemicals Regulation REACH

Dear Sir or Madam,

With reference to the Regulation (EG) 1907/2006 (REACH) our supplier REHAU has taken all necessary measures in order to meet the requirements.

#### a) Preregistration and registration of substances

REHAU exclusively uses registered or preregistered raw materials and continuously verifies the registration status of the raw materials in use.

#### b) SVHC duties to communicate information

The candidate list dd. 15 January 2018, which can be found on the ECHA homepage, contains a total of 181 "substances of very high concern" ("SVHC") for which there is a duty to communicate information from a content of more than 0.1% acc. to Article 33 of the REACH regulation. This is to inform you that the articles we offer:

s. o. chapter:

3.1 page number 4 – 9

3.2 page number 10 – 11

3.3 page number 12 – 13

4.1 page number 15 – 16

4.2 page number 17

contain more than

*0.1% 2-ethylhexyl 10-ethyl-4,4-dioctyl-7-oxo-8-oxa-3,5-dithia-4-stannatetradecanoate (DOTE), CAS no. 15571-58-1.*

It is not necessary to take any particular precautionary measures when dealing with these articles as the substance is bound in the polymeric matrix and is not released in hazardous quantities when being used acc. to regulations.